



REGISTRATION NUMBER

DVH 0493

DATE OF REGISTRATION/PUBLICATION

OCT 05 2011

Month Day Year

DO NOT WRITE ABOVE THIS LINE. IF YOU NEED MORE SPACE, USE A SEPARATE CONTINUATION SHEET. (Form D-VH/CON)

**1**  
TITLE

Please give the make and model of the vessel that embodies the design.

SB 18v3

**2**  
DESIGN

(a) What is the type or style of the design for which registration is sought?  
Catamaran

(b) Provide a brief general statement setting forth the salient features of the design.  
Overall appearance for a boat as shown, including hull configuration and shape.

Check here if this is a single design.

Check here if registering more than one design. Use Form D-VH/CON for additional designs.

(c) If this design is derived from an earlier design, describe how that design has been revised, adapted, or rearranged.  
This application is similar to Applicant's designs SB 18v1 and SB 18v2, submitted for copyright registration on September 26, 2011. However, copyright protection in this instance is sought for the original elements of the boat hull below the gunwale. Therefore, the portion of the design at the gunwale is shown in dotted lines.

**3**  
DESIGNER(S)

Provide the name and address of the designer(s). The name of the employer may be given instead of the designer(s) if, (1) the design was made within the regular scope of employment of the designer(s) and (2) the individual authorship of the design is difficult or impossible to ascribe.

Please check here if those conditions are satisfied and you are providing the employer's name.

Name: Clive Jeffrey Name: \_\_\_\_\_  
Address: Venture Quays, Castle Street Address: \_\_\_\_\_  
East Cowes  
Isle of Wight PO32 6EZ UK

**4**  
OWNER,  
IF NOT  
DESIGNER(S)

If the owner is different from the designer(s) or employer named above, provide the name and address of the owner:

Name: South Boats (Holdings) Limited,  
Address: Venture Quays, Castle Street  
East Cowes, Isle of Wight  
PO32 6EZ UK

**5**  
PRIORITY  
CLAIM

(a) Was an application for registration of this design identified in an application filed in a foreign country that extends to designs of owners who are citizens of the United States, or to persons filing applications in the United States, similar protection to that afforded in 17 USC chapter 13?  
 Yes  No

(b) If yes, identify the country and date of application:  
Country: \_\_\_\_\_  
Date of application: \_\_\_\_\_  
Serial No: \_\_\_\_\_

**6**  
DATE MADE  
PUBLIC

Was this design made public before the date of application?  Yes  No  
If yes, on what date? October 13 2009  
Month Day Year

DO NOT WRITE HERE  
OFFICE USE ONLY  
APPLICATION RECEIVED OCT 05 2011  
DESIGN COPIES RECEIVED OCT 05 2011  
FUNDS RECEIVED OCT 05 2011

DO NOT WRITE ABOVE THIS LINE. IF YOU NEED MORE SPACE, USE A SEPARATE CONTINUATION SHEET. (Form D-VH/CON)

7 CONTACT PERSON

Please provide the name and address of the person to whom correspondence regarding this application may be directed:

Name: Edward E. Vassallo, Fitzpatrick, Cella, Harper & Scinto

Address: 1290 Avenue of the Americas

New York, NY 10104-3800 Email address evassallo@fchs.com

FAX number 212-218-2200 Daytime phone: (212 ) 218-2100

8 DEPOSIT ACCOUNT

Give the name and account number if the registration fee is to be charged to a deposit account established in the Copyright Office:

Name of Account: \_\_\_\_\_

Account number: \_\_\_\_\_

9 CERTIFICATION AND SWORN STATEMENTS

DECLARATION: The undersigned, as the applicant or the applicant's duly appointed agent or representative, being hereby warned that willful false statements are punishable by fine or imprisonment, or both, under 18 USC §1001, and that such willful false statements may jeopardize the validity of this application or any resulting registration, hereby declares to the best of his or her knowledge and belief:

- (1) that the design has been fixed in a useful article;
- (2) that the design is original and was created by the designer(s), or employer if applicable, named in the application;
- (3) that those aspects of the design for which registration is sought are not protected by a design patent;
- (4) that the design has not previously been registered on behalf of the applicant or applicant's predecessor in title; and
- (5) that the applicant is the person entitled to protection and to registration under chapter 13 of title 17, *United States Code*.

Complete if applicable:

The design has been made public with a design notice as prescribed by 17 USC §1306. Following is the exact form of the design notice:

Where on the useful article is the design notice located?

If the undersigned is not the applicant, he or she is properly authorized to execute this application on behalf of the applicant.

Signature: BRENDAN MEE

Print or type name: \_\_\_\_\_

Telephone number: 212 218 2100 Fax number: 212 218 2200

Date: October 4, 2011

Position or title: Associate Attorney

Email address: bmee@fchs.com

Copyright Office fees are subject to change. For current fees, check the Copyright Office website at [www.copyright.gov](http://www.copyright.gov), write the Copyright Office, or call (202) 707-3000.

Certificate will be mailed in window envelope to this address:

Name ▼ Fitzpatrick, Cella, Harper & Scinto

Number/Street/Apt ▼ 1290 Avenue of the Americas

City/State/Zip ▼ New York, NY 10104

- YOU MUST:**
- Complete all necessary spaces
  - Sign your application in space 9
- SEND ALL 3 ELEMENTS IN THE SAME PACKAGE:**
1. Application form
  2. Nonrefundable filing fee in check or money order payable to Register of Copyrights
  3. Design material
- MAIL TO:**  
Dept. D-VH  
Vessel Hull Registration  
P.O. Box 71380  
Washington, DC 20024-1380

17 USC §1327. Penalty for false representation. "Whoever knowingly makes a false representation materially affecting the rights obtainable under this chapter for the purpose of obtaining registration of a design under this chapter shall pay a penalty of not less than \$500 and not more than \$1,000, and any rights or privileges that individual may have in the design under this chapter shall be forfeited."

Library of Congress  
Received

OCT 05 2011

U.S. Copyright Office

DVH 0493

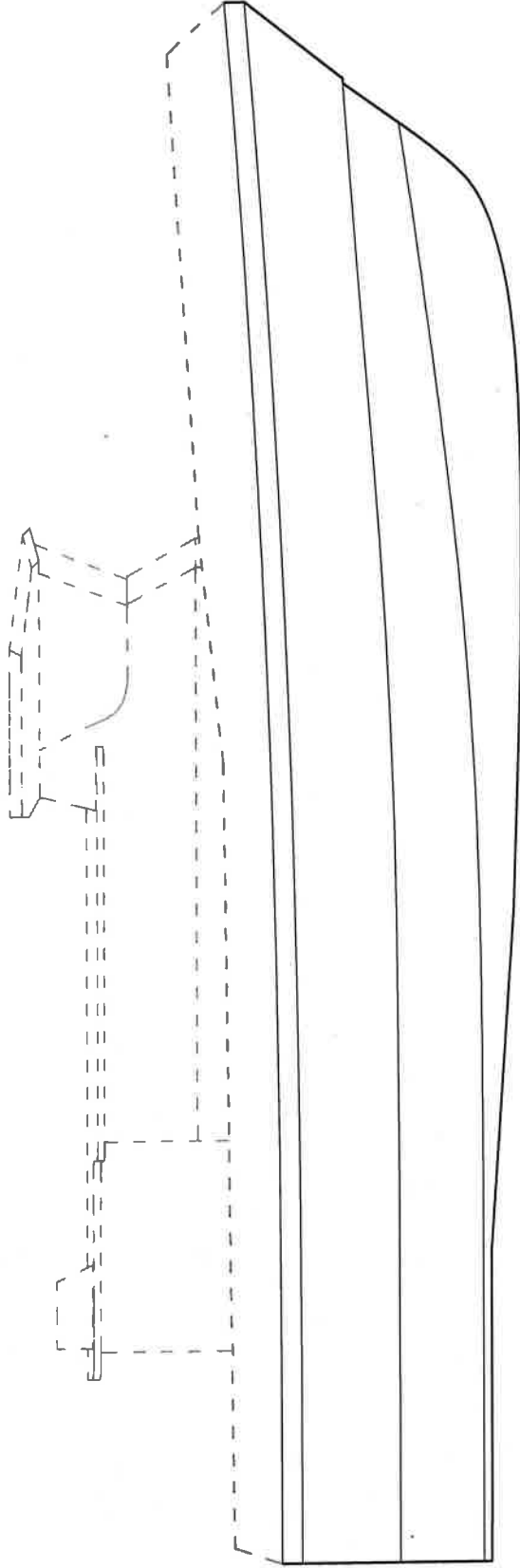


FIG 1

OCT 05 2011

U.S. Copyright Office

DVH 0493

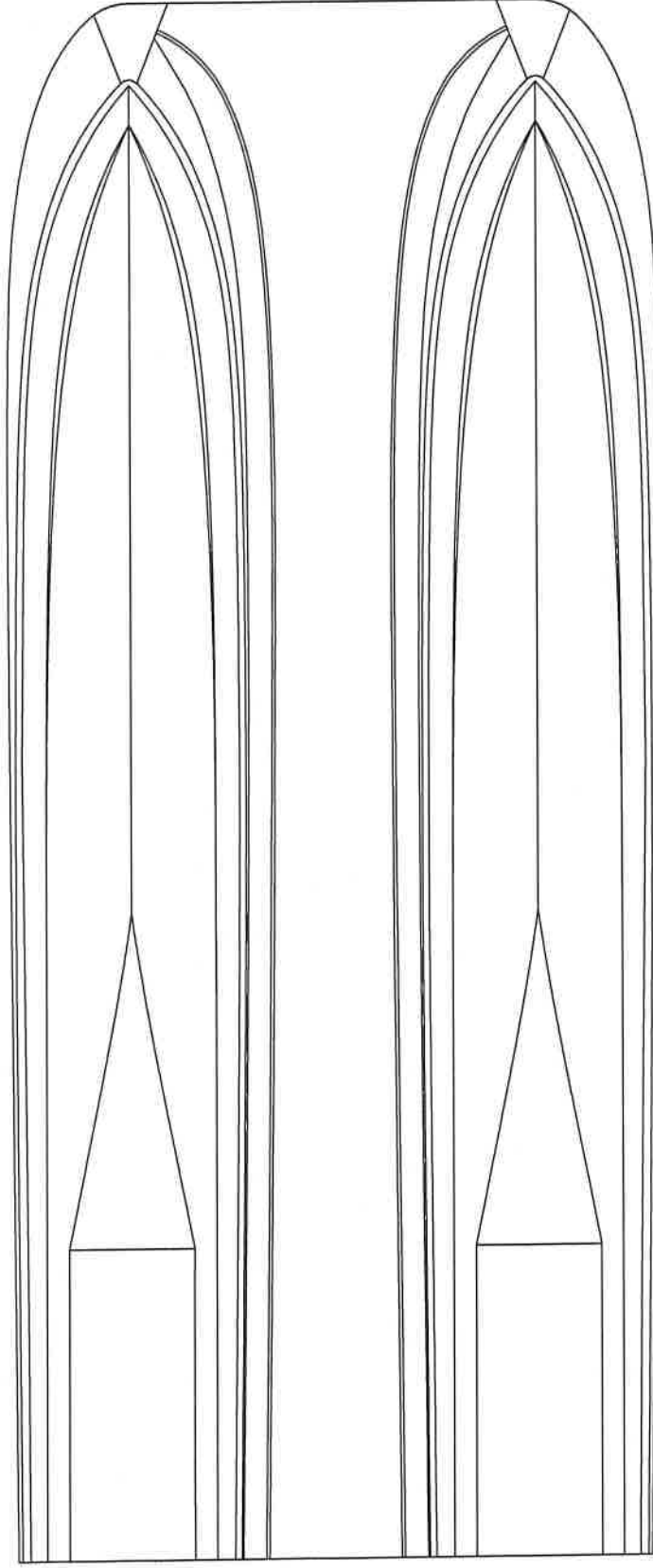


FIG 2

Library of Congress  
Received

OCT 05 2011

U.S. Copyright Office

DVH 0493

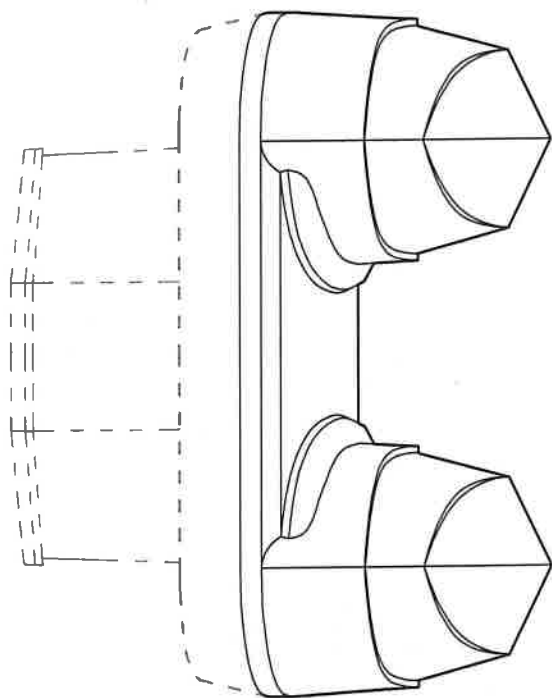


FIG 3

Library of Congress  
Received

OCT 03 2011

U.S. Copyright Office

DVH 0493

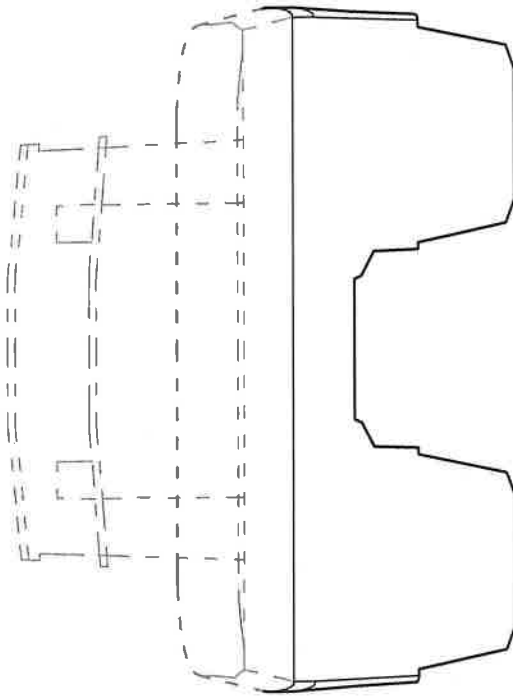


FIG 4

Library of Congress  
Received

OCT 05 2011

U.S. Copyright Office

DVH 0493

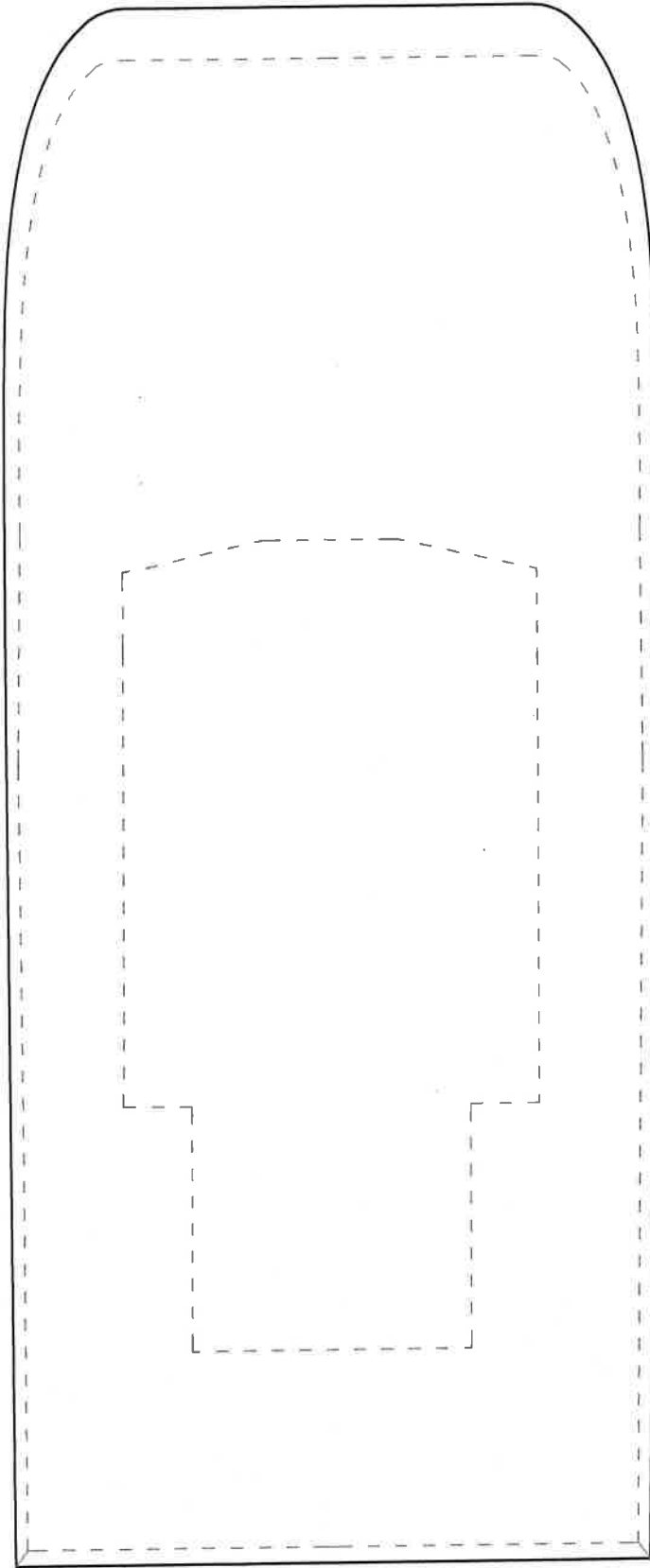


FIG 5

OCT 05 2011

DVH 0493

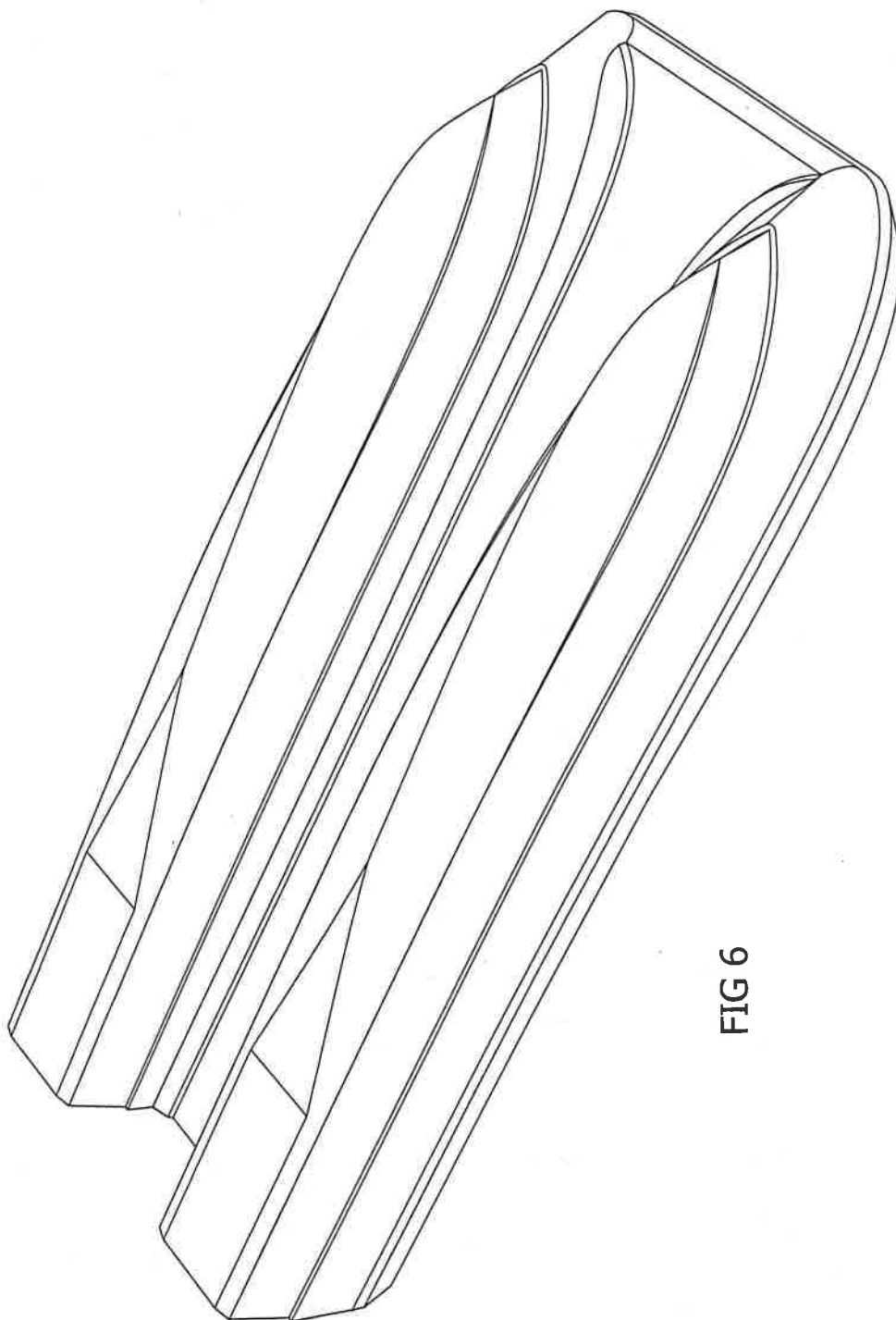


FIG 6